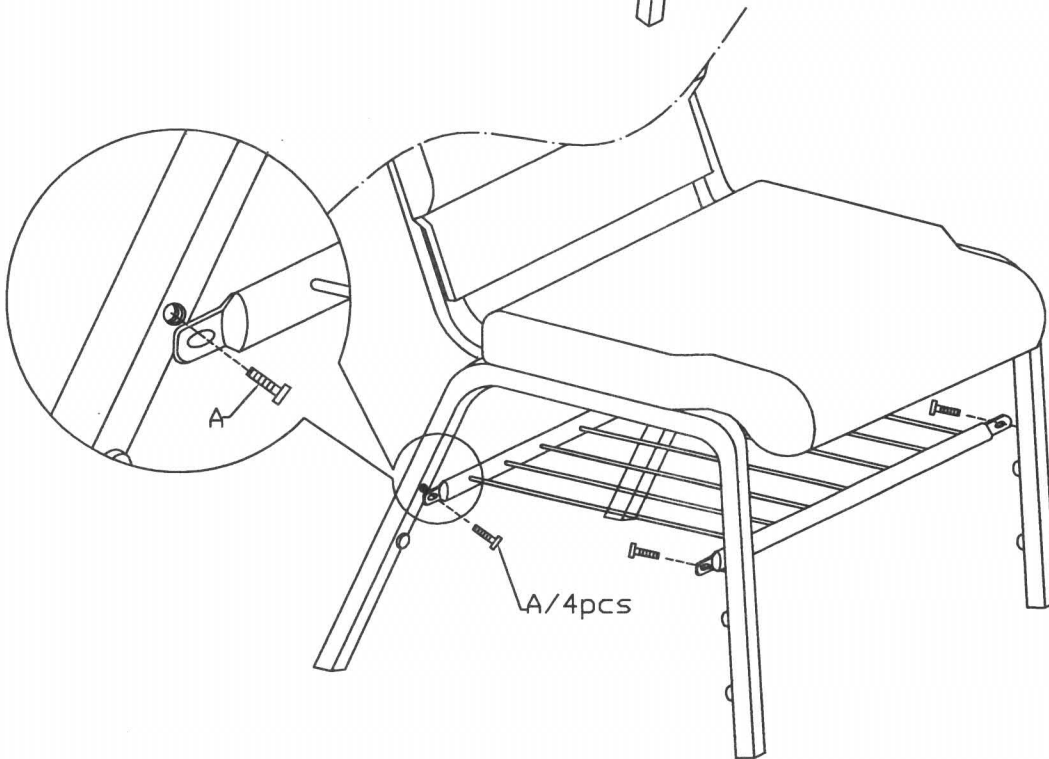
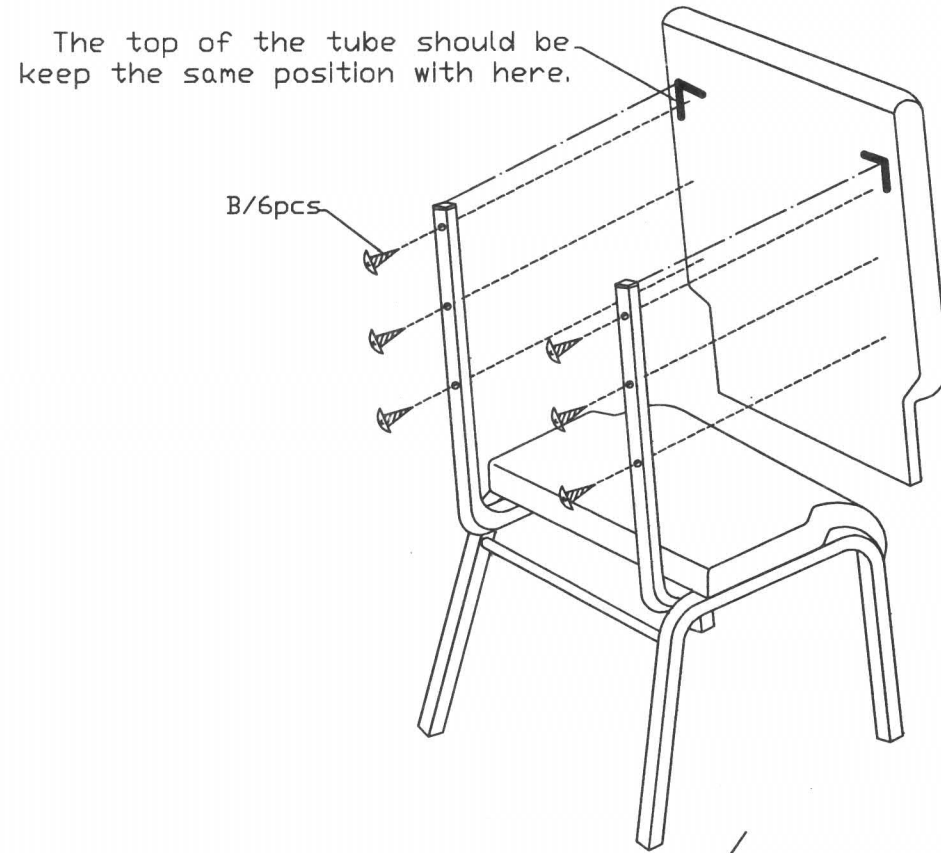


XU,


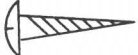
ASSEMBLY INSTRUCTION

The top of the tube should be keep the same position with here.

B/6pcs



HARDWARE LIST

A	B
	
1/4" * 12L	M5 * 40L