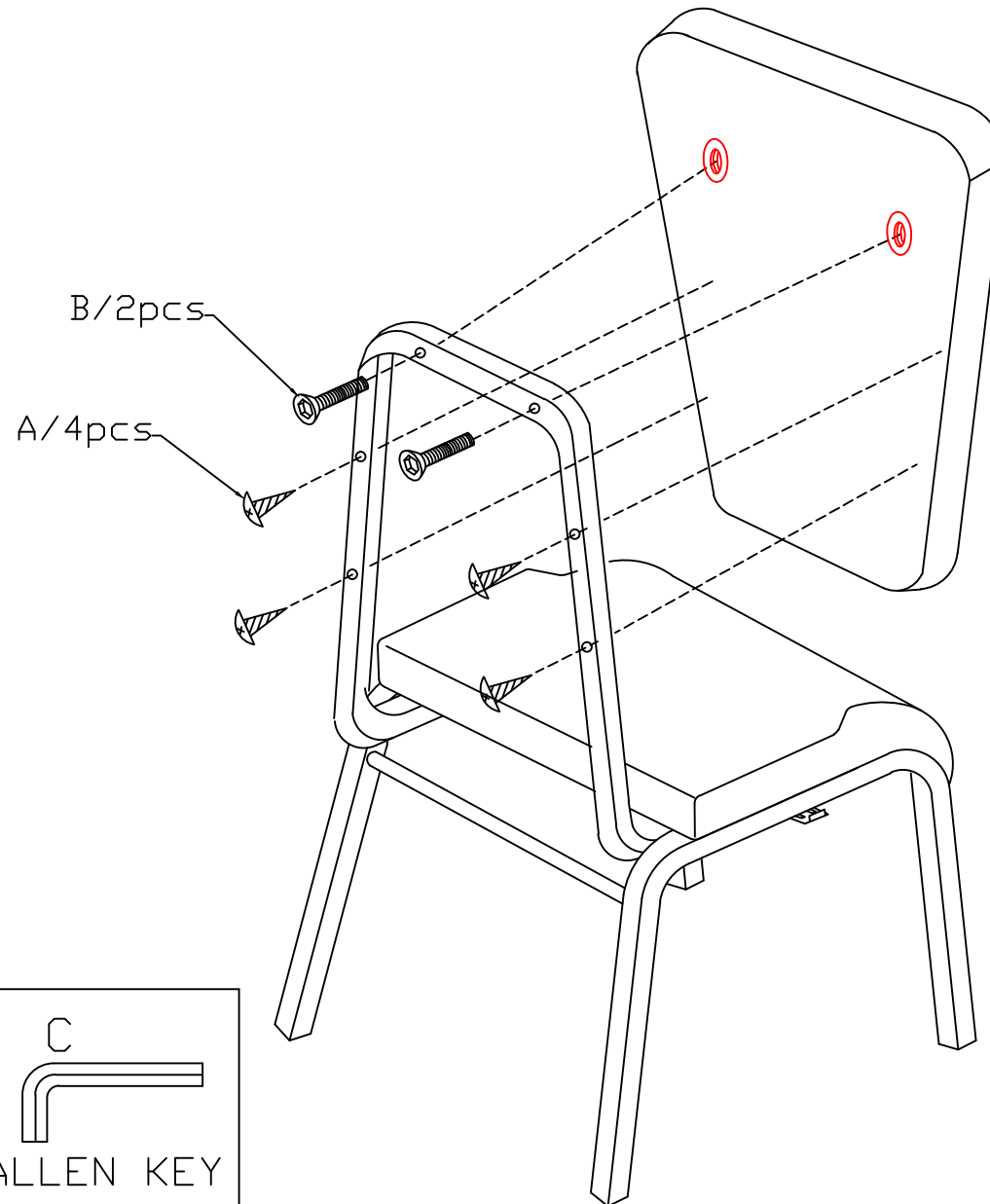
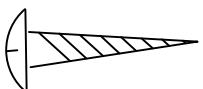
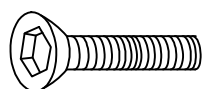
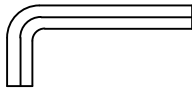


ASSEMBLY INSTRUCTION



HARDWARE LIST

A  M5*35L	B  1/4"*35L	C  ALLEN KEY
4PCS	2PCS	1PC