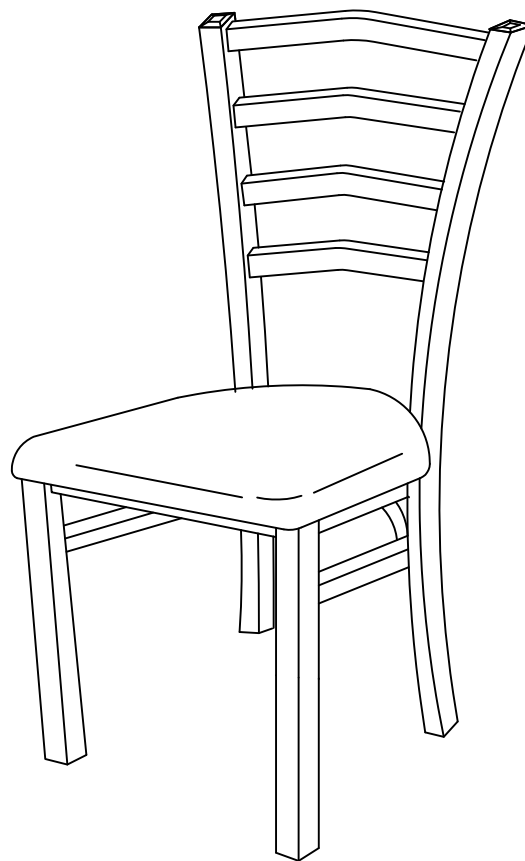
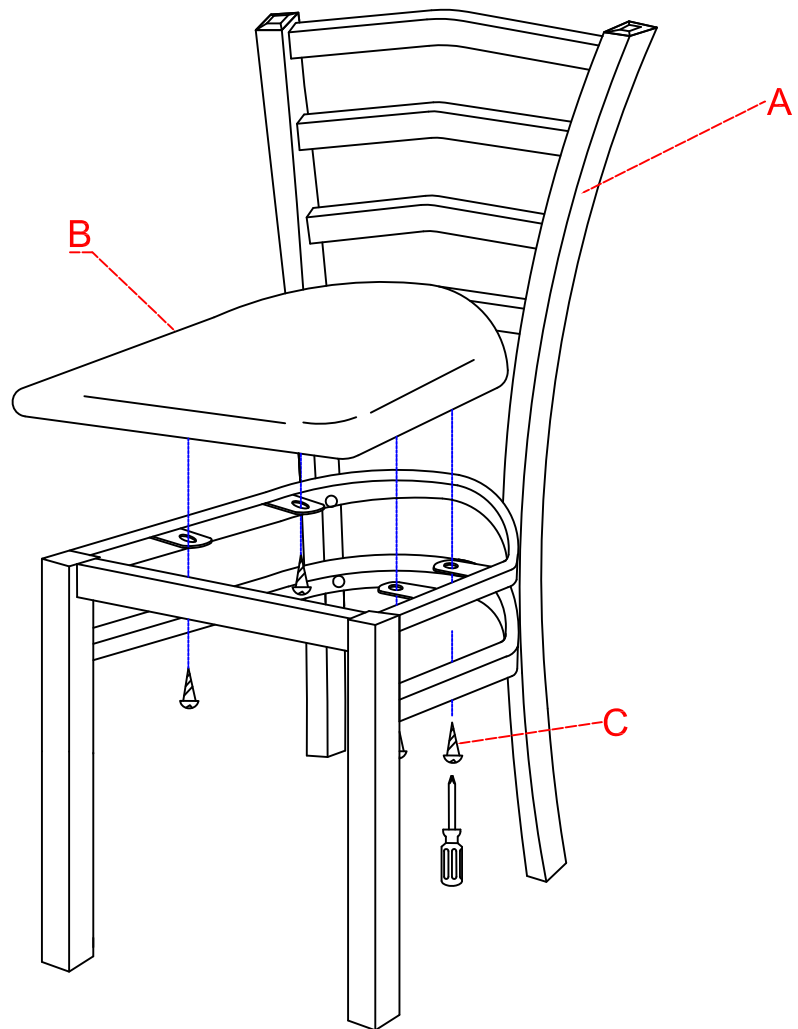



Assembly Instruction

STEP 1.



FINISH

| PART LIST | | QTY |
|-----------|--|------|
| A | FRAME | 1pc |
| B | SEAT | 1pc |
| C |  SCREW M5*16mm | 4pcs |