

Laminate Activity Table - Standard Height Adjustable Legs or Height Adjustable Short Legs

ASSEMBLY INSTRUCTIONS

Before You Begin:

Please identify all component parts and hardware pieces required before you begin. Carefully remove all of the components from the packaging and set aside for assembly. Assemble on a soft surface to prevent scratching during assembly.

Caution:

Tighten all components securely before use. Failure to do so may result in personal injury. DO NOT use any sharp objects to open plastic wrapped components as damage to product or components may result.

Warning:

CHOKING HAZARD - Small Parts. Adult Assembly Required.

Injury may result from tipping furniture. You must install the Tipping Restraint Hardware with the unit to prevent the unit from tipping and causing any accidental injury, instability, death or damage. The tipping restraint is intended only as a safety measure, it is not a substitute for proper adult supervision.

This tipping restraint is not an earthquake restraint. If you wish to add the extra security of earthquake restraints, they must be purchased and installed separately.

Serious or fatal crushing injuries can occur from furniture tipping over. To prevent furniture from tipping over it must be permanently fixed to the wall. Fixing devices for the wall are not included since different wall materials require different types of fixing devices. Use fixing devices suitable for the walls in your home.

Failure to detach this restraint before moving furniture may result in injury or damage.

DO NOT ALLOW CHILDREN TO CLIMB ON FURNITURE

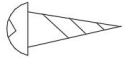
.....

.....

Thank you for your purchase!

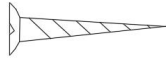
PARTS

A



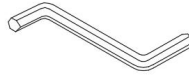
SCREW=40
(M5*16mm)

B



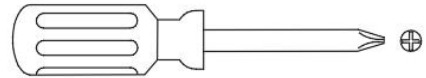
SCREW=5or10
(M4*35mm)

C



5MM ALLEN KEY=1

Tools Required

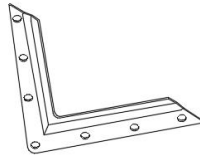


1



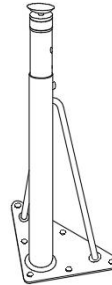
TABLE TOP = 1PC

2



SILVER PLATE = 4 PCS

3



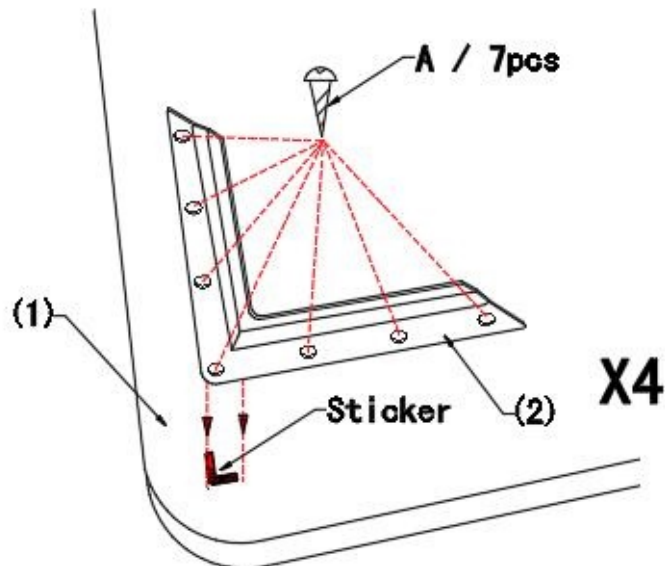
LEG = 4PCS

4



1 or 2
SUPPORT BAR

STEP 1

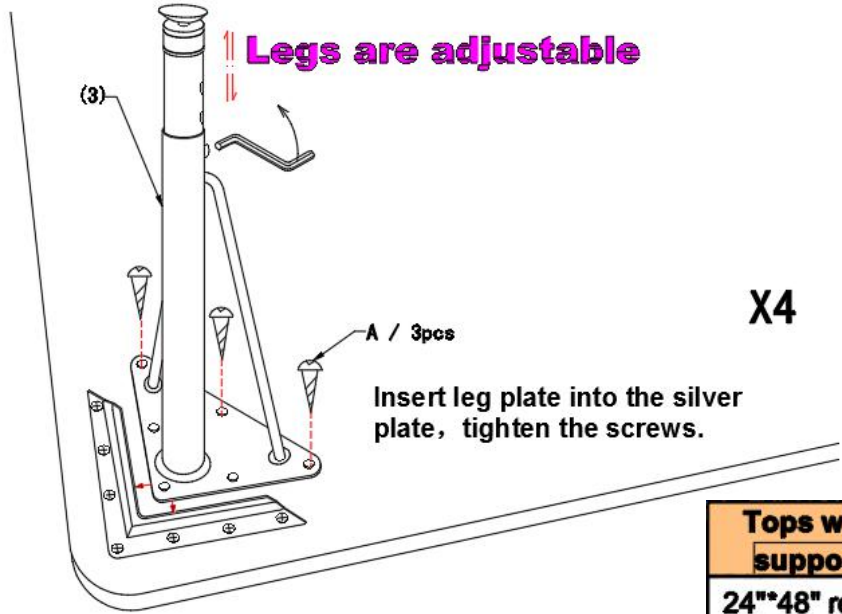


PLEASE NOTE!

1. Choose your favorite top color (reversible), assemble silver plate to the other side.
2. Silver plate corners to exactly cover the stickers.

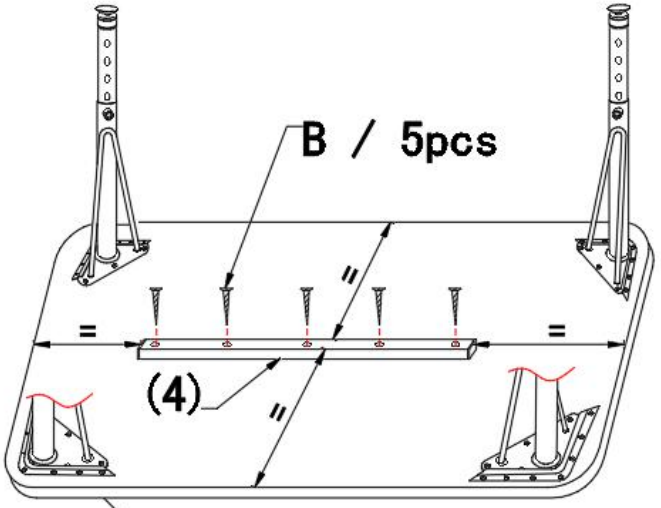
.....
Thank you for your purchase!

STEP 2

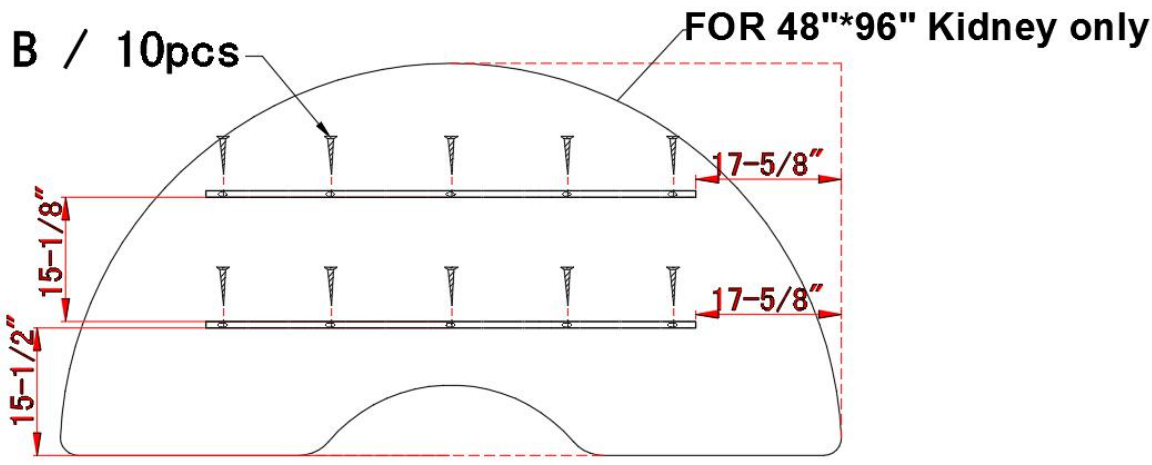


Tops without support bar	Tops with one support bar	Top with two support bar
24**48" rectangle	30**60" rectangle	48**96" kidney
30**48" rectangle	30**72" rectangle	
42" round	36**72" rectangle	
48" round	24**60" rectangle	
24**48" trapezoid	48**72" kidney	
30**48" contour	60**66" horse	
30**60" contour	A60" flower	
40" round contour	60" round	
60" round contour	30**60" trapezoid	

Remark:
1. Please assemble support bar if supplied.
2. Support bar and screws are packed in top carton.



One support bar: assembled in the middle of the top.



Thank you for your purchase!