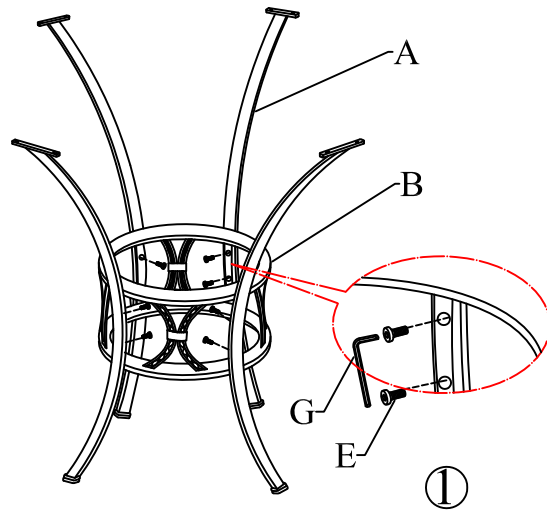
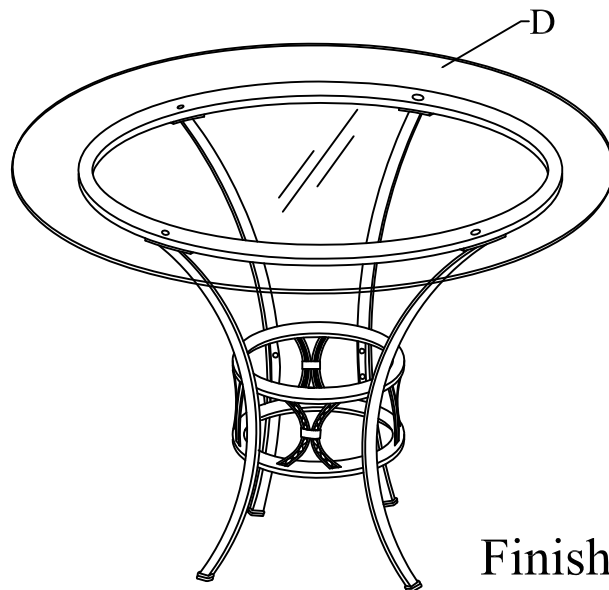
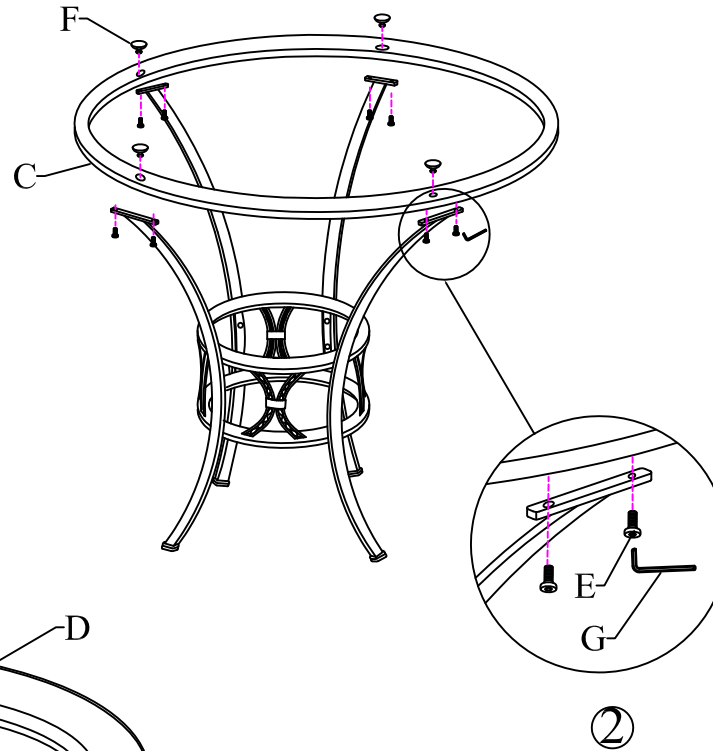


Assembly Instruction





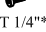


Step:1



Step:2



Finish

PART LIST		QTY
A	 TABLE LEG	4PCS
B	 UNDER THE FRAME	1PC
C	 TOP FRAME	1PC
D	 GLASS TOP	1PC
E	 BOLT 1/4"*12	16PCS
F	 GLASS STOPPER	4pcs
G	 ALLEN KEY 4MM	1PC