

## WOODEN PLATFORM BED FRAME

### ASSEMBLY INSTRUCTIONS

#### Before You Begin:

Please identify all component parts and hardware pieces required before you begin. Carefully remove all of the components from the packaging and set aside for assembly. Assemble on a soft surface to prevent scratching during assembly.

#### Caution:

Tighten all components securely before use. Failure to do so may result in personal injury.

DO NOT use any sharp objects to open plastic wrapped components as damage to product or components may result.

#### Warning:

**CHOKING HAZARD - Small Parts. Adult Assembly Required.**

Injury may result from tipping furniture. You must install the Tipping Restraint Hardware with the unit to prevent the unit from tipping and causing any accidental injury, instability, death or damage. The tipping restraint is intended only as a safety measure, it is not a substitute for proper adult supervision.

This tipping restraint is not an earthquake restraint. If you wish to add the extra security of earthquake restraints, they must be purchased and installed separately.

Serious or fatal crushing injuries can occur from furniture tipping over. To prevent furniture from tipping over it must be permanently fixed to the wall. Fixing devices for the wall are not included since different wall materials require different types of fixing devices. Use fixing devices suitable for the walls in your home

Failure to detach this restraint before moving furniture may result in injury or damage.

**DO NOT ALLOW CHILDREN TO CLIMB ON FURNITURE**



## **Our Warranty Statement**

This warranty covers manufacturing defects associated with your new product. The product is warranted from the original purchase date and to the original purchaser for normal usage, according to the below-referenced specifications and limitations.

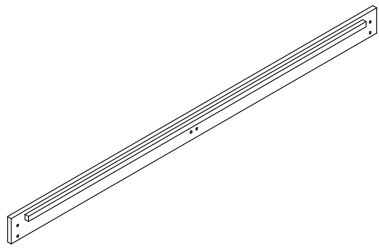
- Non-moving metal parts are warranted for 5 years,
- Component parts including pneumatic cylinder, control mechanism, base and casters are warranted for 2 years.
- All other items are warranted for 1 year.

Normal usage means use in compliance with the restrictions and weight limits specified for the product. In the absence of product-specific restrictions and weight limits, normal usage means use for no more than forty hours per week by persons weighing 250 lbs. or less. Coverage terminates if the product is sold or otherwise transferred. Repairs made by parties other than Belnick also void this warranty.

This warranty will not cover: (1) labor, freight, or damage from misuse, abuse, negligence, alteration, assembly, installation, attachments, accident, vandalism, acts of nature or any other event beyond the control of Belnick; (2) tearing, scratching, scuffing, or blemishing of leather or fabric; (3) cosmetic damage that may result from normal usage; (4) damage attributable to use by persons exceeding specified weight limits or commercial use exceeding forty hours per week; or (5) rust or other damage caused by exposure to moisture. The user assumes all risk of injury resulting from use of this product. Liability for incidental or consequential damage is excluded. Some states do not allow the exclusion or limitation of incidental or consequential damages, so the above limitation or exclusion may not apply to you.

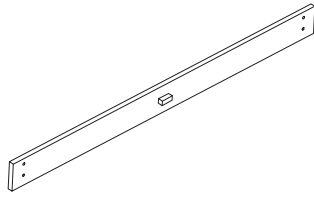
# Parts

**Part 1:** Left & Right Siderails



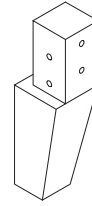
2pcs

**Part 2:** Headboard & Footboard



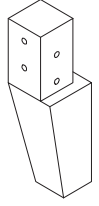
2pcs

**Part 3:** Left Headboard & Right Footboard Legs



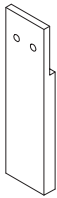
2pcs

**Part 4:** Right Headboard & Left Footboard Legs



2pcs

**Part 5:** Left & Right Side Legs



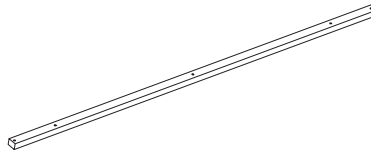
2pcs

**Part 6:** Center Legs



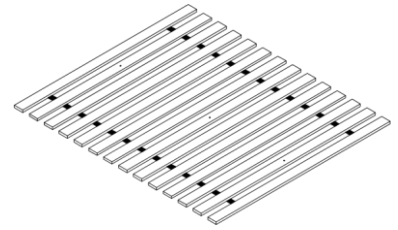
3pcs

**Part 7:** Center Rail



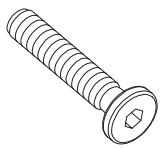
1pc

**Part 8:** Support Slats



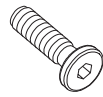
1pc

# Hardware



M8 – 85mm Screw

Part A x 16pcs



M6 – 50mm Screw

Part B x 3pcs



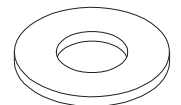
M6 – 30mm Screw

Part C x 4pcs



M8 – 1mm Large Lock Washer

Part D x 16pcs



M8 – 1mm Large Flat Washer

Part E x 16pcs



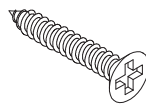
M5 Allen Wrench

Part H x 1pcs



M4 Allen Wrench

Part I x 1pcs



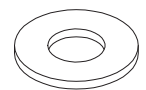
30mm Self-Tapping Screw

Part J x 2pcs



M6 – 1mm Small Lock Washer

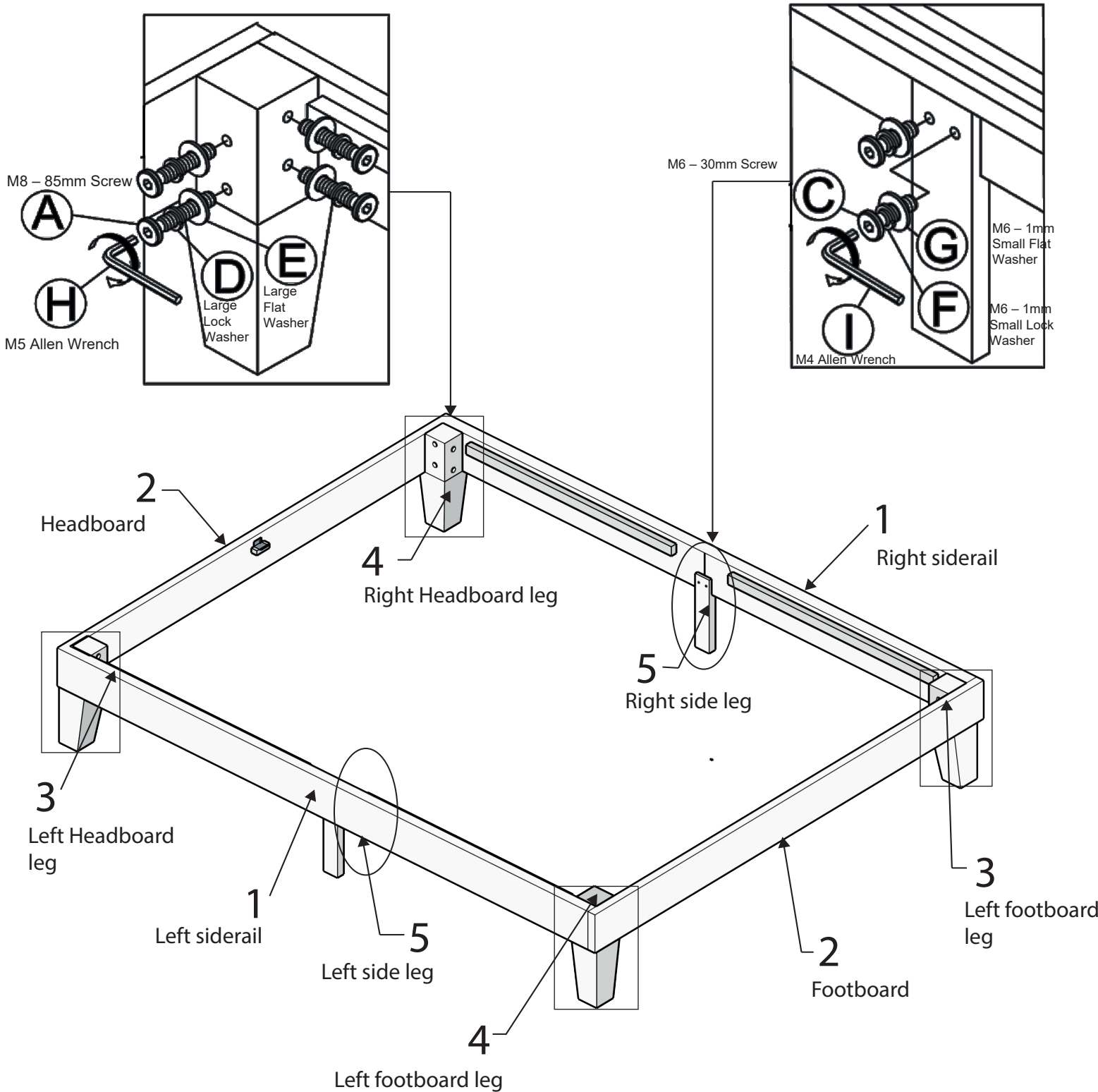
Part F x 4pcs



M6 – 1mm Small Flat Washer

Part G x 4pcs

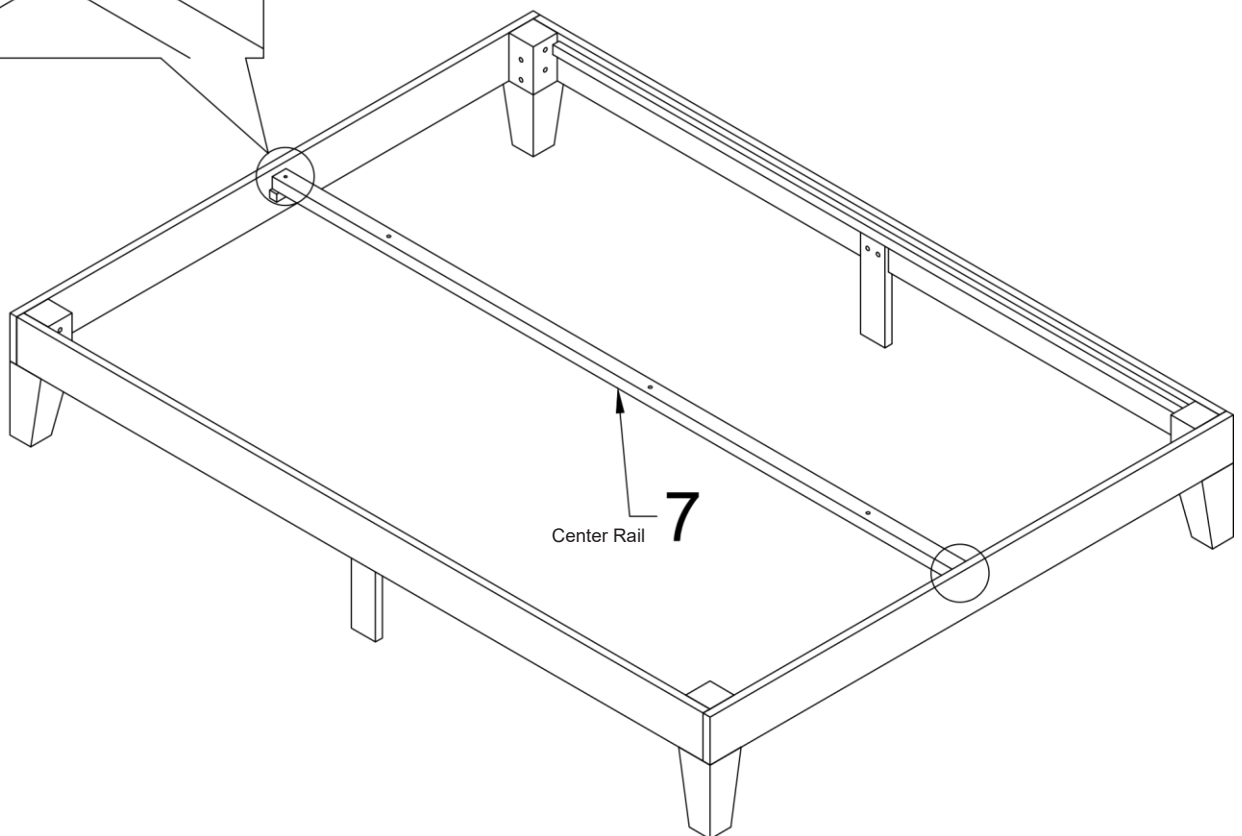
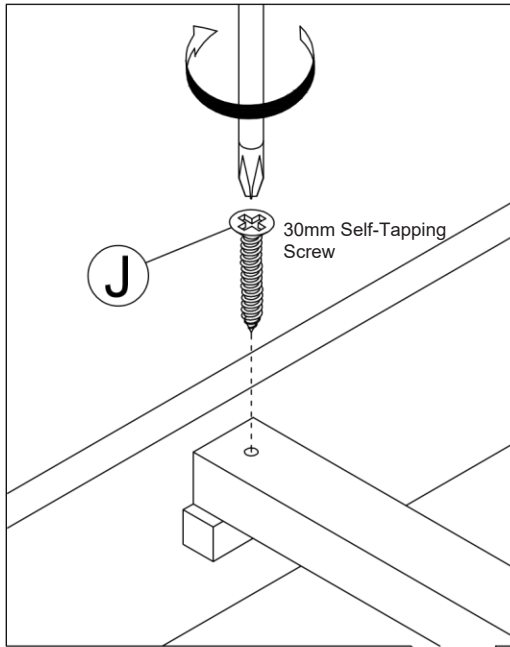
**STEP 1A:** Attach Left Headboard & Right Footboard Legs (Part 3) and Right Headboard & Left Footboard Legs (Part 4) to the Headboard and Footboard (Part 2) and the Left and Right Siderails (Part 1) using (16) M8 – 85mm Screws (Part A), (16) Large Lock Washers (Part D) and (16) Large Flat Washers (Part E). Tighten with M5 Allen Wrench (Part H)



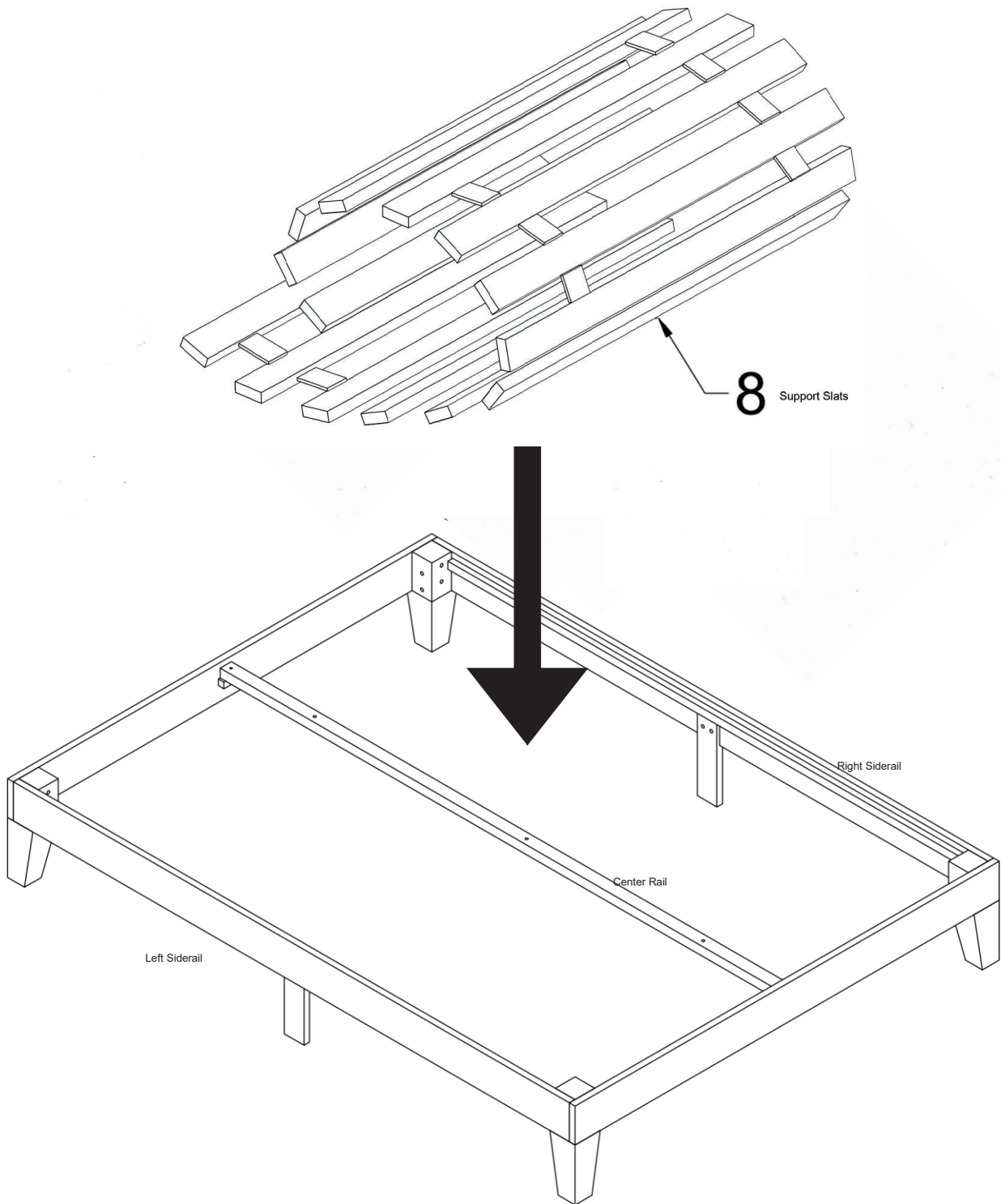
**STEP 1B:** Attach Left Side Leg & Right Side Leg (Part 5) to the Left and Right Siderails (Part 1) using (4) M6 – 30mm Screws (Part C), (4) M6 – 1mm Small Lock Washers (Part F) and (4) M6 – 1mm Small Flat Washers (Part G). Tighten with M4 Allen Wrench (Part I).

## STEP 2

Attach the Center Rail (Part 7) to the Headboard & Footboard (Part 2) using (2) 30mm Self-Tapping Screws (Part J).



**STEP 3:** Place rolled support slats (Part 8) onto the Center Rail and Siderails.



**STEP 4:** Place the Center Legs (Part 6) under the Center Rail and unroll Support Slats until the first screw hole is visible. Attach the Support Slats to the Center Rail and Center Legs using (3) M6 – 50mm Screws (Part B). Tighten with M4 Allen Wrench (Part I).

**NOTE:** Do not fully unroll support slats to begin. Once the first leg is attached, slowly unroll slats until the next screw hole is visible. Attach to center rail and leg one at a time until all 3 are attached.

