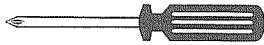


TABLE ASSEMBLY INSTRUCTIONS

PARTS LIST

- A** Tabletop
- B** Leg(4)
- C** Short Bolt(12)
- D** Split Washer(12)
- E** Phillips Screw(8)
- F** Allen wrench(1)
- G** Set screws(4)

NOTE:
A Phillips Head Screwdriver
will be needed for
assembly (not included)



WARNING:

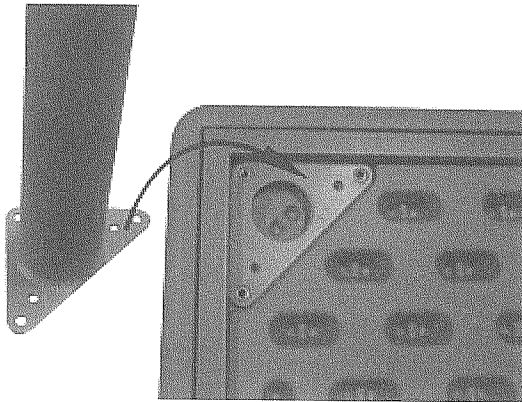
- **Adult Assembly Required.** Two Adults Recommended.
- Contains small parts, sharp points and edges.
- Do not stand, sit, kneel, climb, lean or pull on unit for support.
- Never leave children unattended.
- Adult Supervision Recommended.

TIPS!

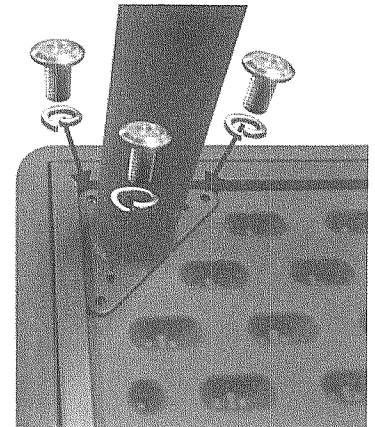
DO NOT FULLY TIGHTEN SCREWS UNTIL ALL SCREWS HAVE BEEN LOOSELY POSITIONED.

* BEFORE ASSEMBLING, MAKE SURE THERE ARE NO MISSING PARTS *

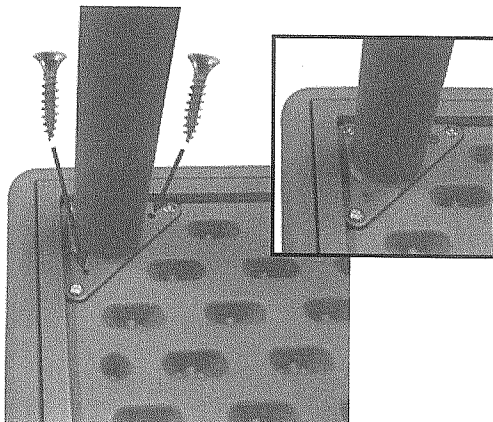
- 1** Place the Tabletop(A) face down on a carpet or protected surface as shown.



- 2** Position the Leg(B) so the holes in the Leg Mount Plate align with the holes in the Tabletop(A) frame as shown. Insert 3 Split Washers(D) onto the 3 Short Bolts(C), and insert into the 3 corner holes. Tighten with a Phillips Head Screwdriver.



- 3** Insert 2 Phillips Screws(E) into the 2 inner Leg(B) holes as shown. Tighten with a Phillips Screwdriver.

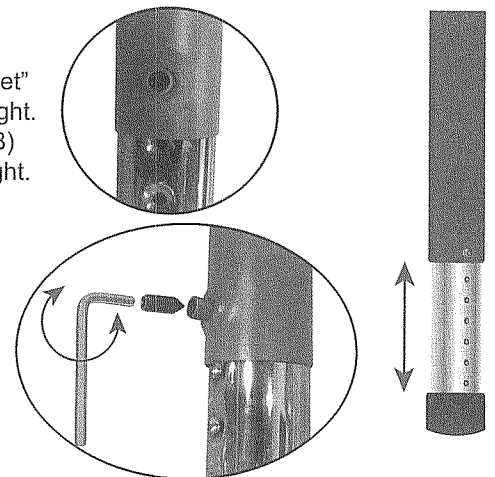


- 4** Repeat Steps 1, 2 and 3 to attach the 3 other Legs(B). Tighten all screws completely.

Adjust Leg(B) "Feet" to the desired height. Make sure Legs(B) are the same height.

Two Adults Recommended:
Carefully turn the table upright.

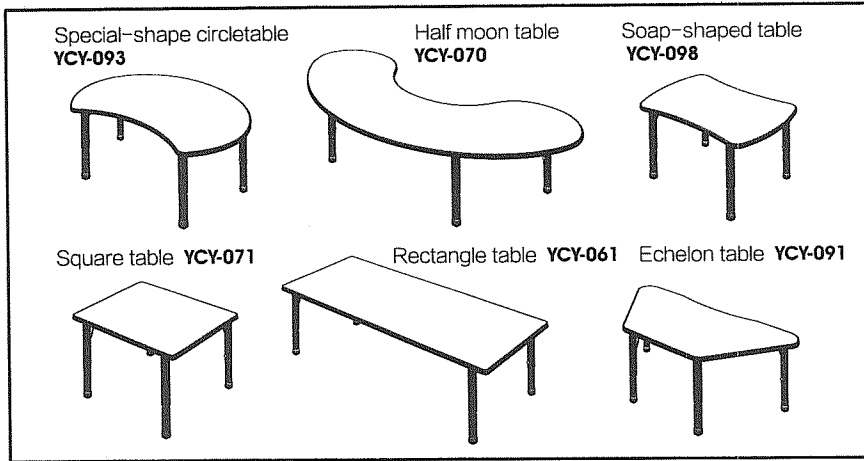
You're done!

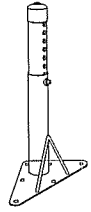
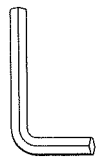
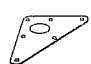


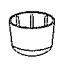


THE INSTALL INSTRUCTION FOR SPECIL COMBINED AND FIXED CHILDREN TABLE

Applicable model:
Table top with injected edging(YCY Series)

Installation accessories

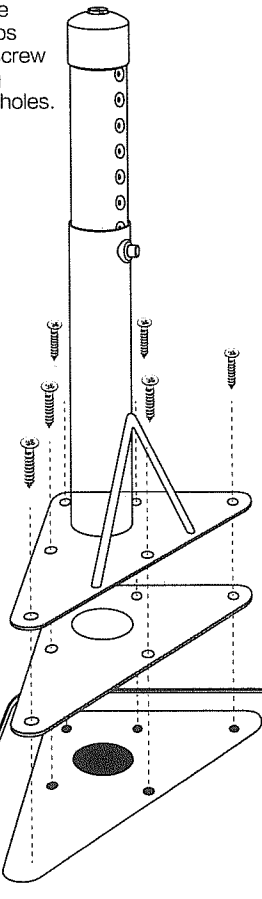


| | | | |
|-----------------------------|---|-------------------------|---|
| Table legs x 4 |  | Allen wrench x 1 |  |
| Gasket x 4 |  | Hexagonal screws x 4 |  |
| Self-tapping screws x 24 |  | Protective cover x 4 |  |

Installation diagram

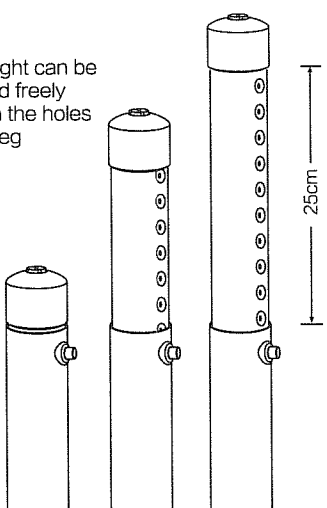
1

Table legs and gasket align installation holes. on thebackof the tableuse a phillips screwdriver to screw the self-tapping screws into the holes.

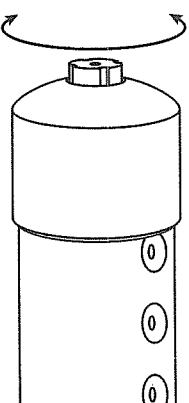


2

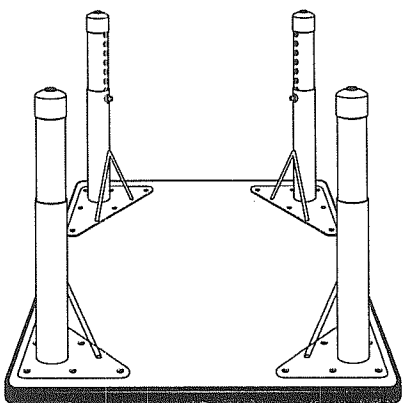
The height can be adjusted freely through the holes on the leg



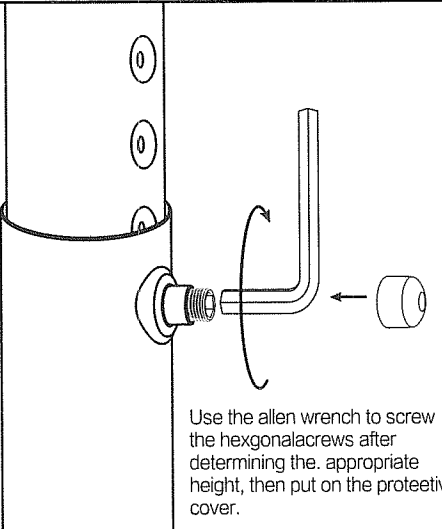
25cm



3 By adjusting the knob device to adapt to uneven ground.



4 The comple ted result as shown.



Use the allen wrench to screw the hexagonalacrews after determining the appropriate height, then put on the protective cover.