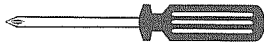


TABLE ASSEMBLY INSTRUCTIONS

PARTS LIST

- A** Tabletop
- B** Leg(4)
- C** Short Bolt(12)
- D** Split Washer(12)
- E** Phillips Screw(8)
- F** Allen wrench(1)
- G** Set screws(4)

NOTE:
A Phillips Head Screwdriver
will be needed for
assembly (not included)



WARNING:

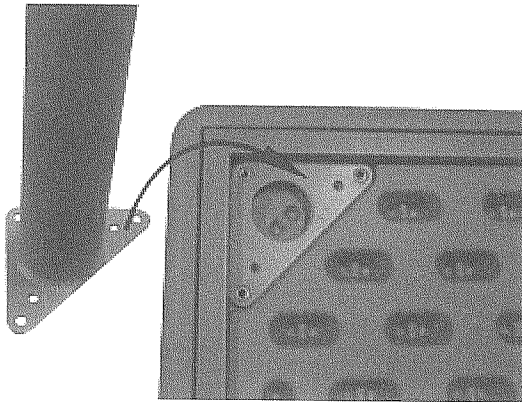
- **Adult Assembly Required.** Two Adults Recommended.
- Contains small parts, sharp points and edges.
- Do not stand, sit, kneel, climb, lean or pull on unit for support.
- Never leave children unattended.
- Adult Supervision Recommended.

TIPS!

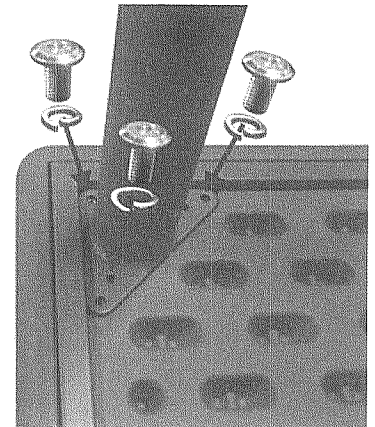
DO NOT FULLY TIGHTEN SCREWS UNTIL ALL SCREWS HAVE BEEN LOOSELY POSITIONED.

* BEFORE ASSEMBLING, MAKE SURE THERE ARE NO MISSING PARTS *

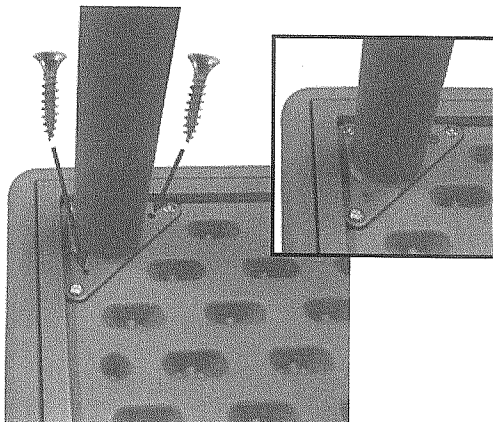
- 1** Place the Tabletop(A) face down on a carpet or protected surface as shown.



- 2** Position the Leg(B) so the holes in the Leg Mount Plate align with the holes in the Tabletop(A) frame as shown. Insert 3 Split Washers(D) onto the 3 Short Bolts(C), and insert into the 3 corner holes. Tighten with a Phillips Head Screwdriver.



- 3** Insert 2 Phillips Screws(E) into the 2 inner Leg(B) holes as shown. Tighten with a Phillips Screwdriver.

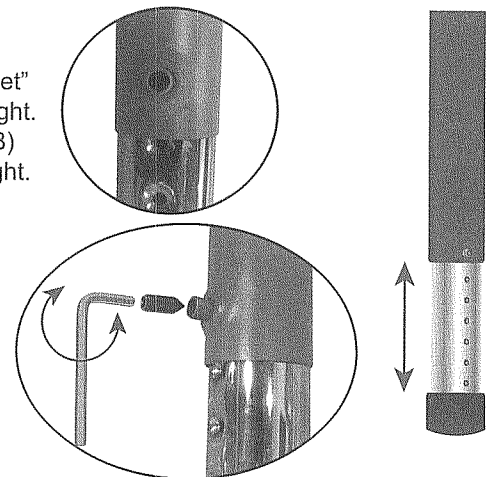


- 4** Repeat Steps 1, 2 and 3 to attach the 3 other Legs(B). Tighten all screws completely.

Adjust Leg(B) "Feet" to the desired height. Make sure Legs(B) are the same height.

Two Adults Recommended:
Carefully turn the table upright.

You're done!



THE INSTALL INSTRUCTION FOR SPECIL COMBINED AND FIXED CHILDREN TABLE

Applicable model:
Table top with injected edging(YCY Series)

Installation accessories

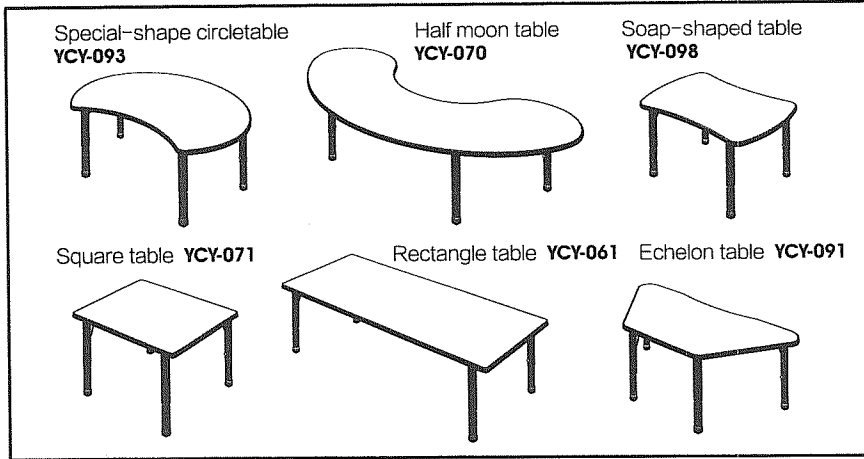
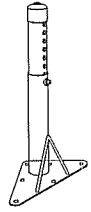
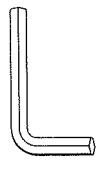
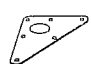


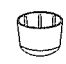
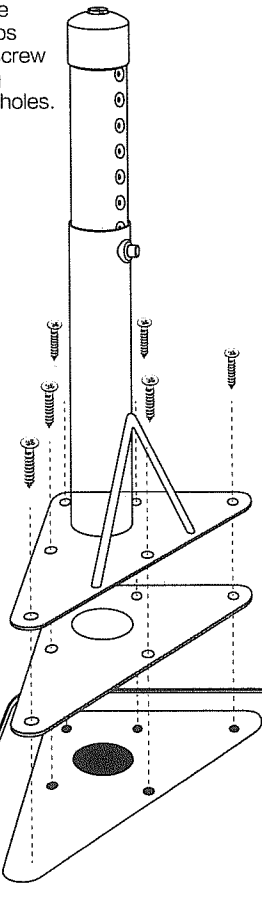


Table legs x 4		Allen wrench x 1	
Gasket x 4		Hexagonal screws x 4	
Self-tapping screws x 24		Protective cover x 4	

Installation diagram

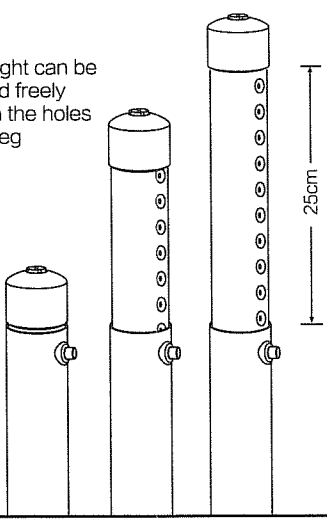
1

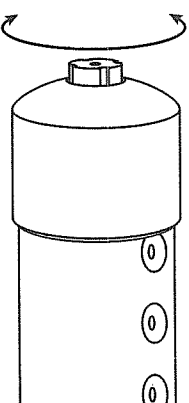
Table legs and gasket align installation holes. on thebackof the tableuse a phillips screwdriver to screw the self-tapping screws into the holes.



2

The height can be adjusted freely through the holes on the leg

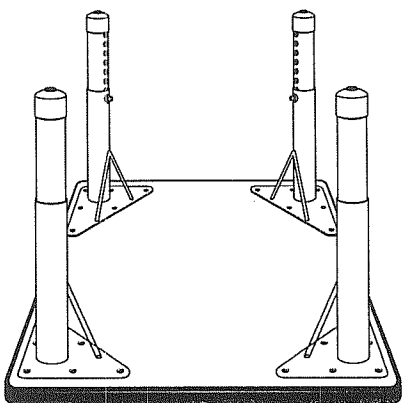




Use the allen wrench to screw the hexagonalacrews after determining the appropriate height, then put on the protective cover.

3

By adjusting the knob device to adapt to uneven ground.



4

The comple ted result as shown.

