





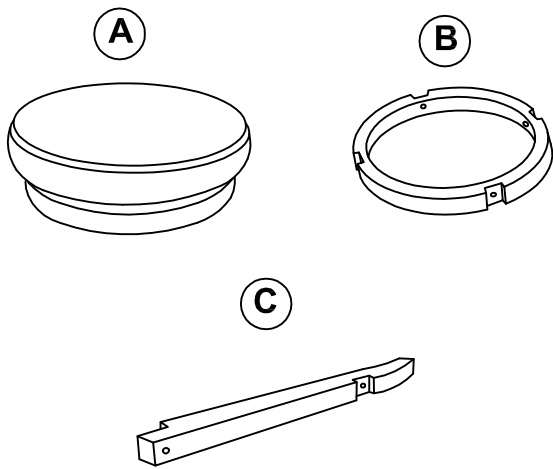
ASSEMBLY INSTRUCTIONS

MODEL: IMP 177/277/377/477

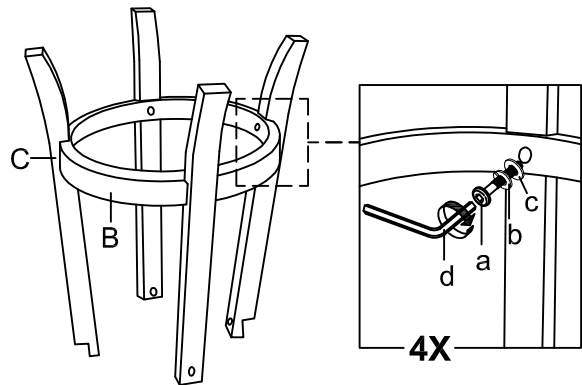
Please read these instruction carefully. Refer to hardware and furniture parts lists for guidance. Make sure all parts are present before assembling. Position furniture parts on a flat, soft and clean surface to prevent scratches. Follow each step closely to ensure proper assembly. **Use of power tools is not recommended.**

PART LIST		
ITEM	DESCRIPTION	Q'TY
A	Cushion with apron	1 PC
B	Footrest	1 PC
C	Chair Leg	4 PCS

HARDWARE LIST		
ITEM	DESCRIPTION	Q'TY
a	JCBC Bolt M6 x 40 mm 	8 PCS
b	Lock Washer M6 x 13mm 	8 PCS
c	Flat Washer M6 x 16.5mm 	8 PCS
d	Allen Key M4 	1 PC

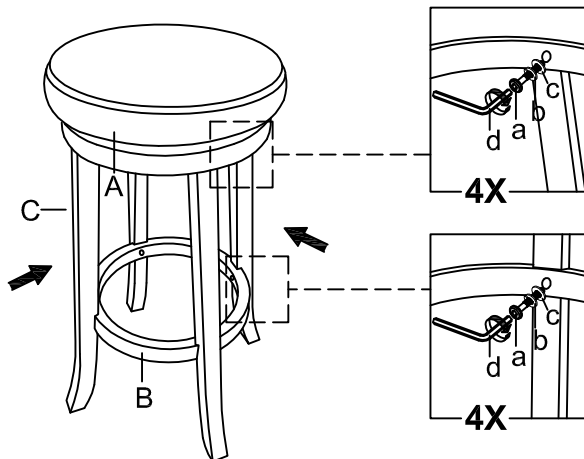


STEP 1

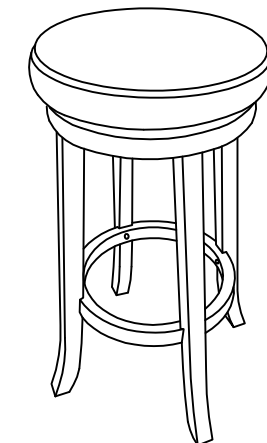


Attach part (B) with part (C). Insert each individual set of hardware as per picture shown. Do not tighten any hardware completely.

STEP 2



Attach part (A) with part (C). Tighten part (A) with part (C) first, then tighten part (B) with Part (C) completely.



COMPLETE VIEW

MADE IN MALAYSIA

PREVENTIVE MAINTENANCE AND WARNING

- USE THIS PRODUCT ONLY FOR SEATING ONE PERSON AT TIME
- DO NOT USE THIS PRODUCT A STEP STOOL/LADDER
- DO NOT SIT ON ANY PART OF THIS PRODUCT EXCEPT SEAT
- DO NOT USE THIS PRODUCT UNEVEN FLOOR SURFACE
- DO NOT USE THIS PRODUCT UNLESS ALL SCREWS AND BOLTS ARE TIGHT. AT LEAST EVERY 6 WEEKS CHECK ALL SCREWS AND BOLTS TO MAKE SURE THEY ARE TIGHT.
- IF ANY PARTS ARE MISSING, BROKEN, DAMAGED OR WORN STOP USE OF THIS PRODUCT UNTIL REPAIRS ARE MADE.
- DISPOSE OF PACKAGING PROPERLY. PLASTIC BAG IS NOT A TOY. DO NOT USE PLASTIC BAG AS A HEAD COVERING. IT MAY CAUSE SUFFOCATION.
- FAILURE TO FOLLOW THESE WARNINGS COULD RESULT IN SERIOUS INJURY.